



GF Piping Systems

Revit Manual for INSTAFLEX



May 2018

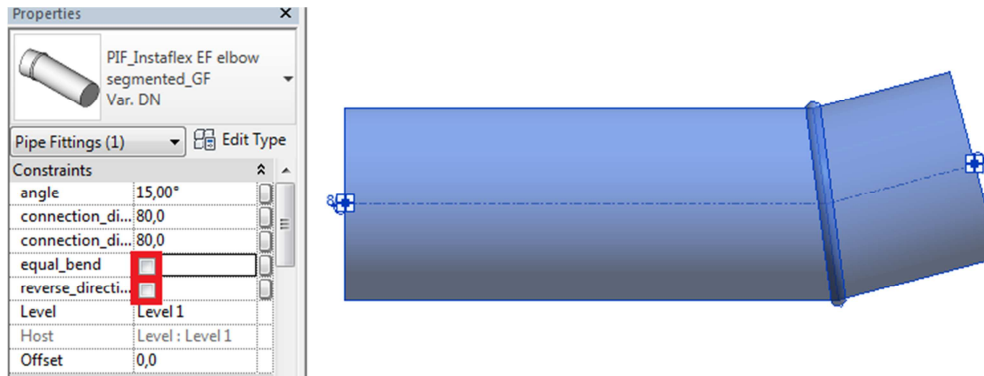
Contents

- 1 Working with pipe fittings and accessories 3
 - 1.1 Working with bends 3
 - 1.2 Working with saddles 3
 - 1.3 Working with filters and return flow inhibitors 3
 - 1.4 Working with Sample Valve..... 4
- 2 Adding couplers 4

1 Working with pipe fittings and accessories

1.1 Working with bends

For some bends GF Piping Systems provide a function to make a bend equal or not equal. Untick a box in properties pallet 'equal_bend' and click 'Apply' to active the function (Picture 1)

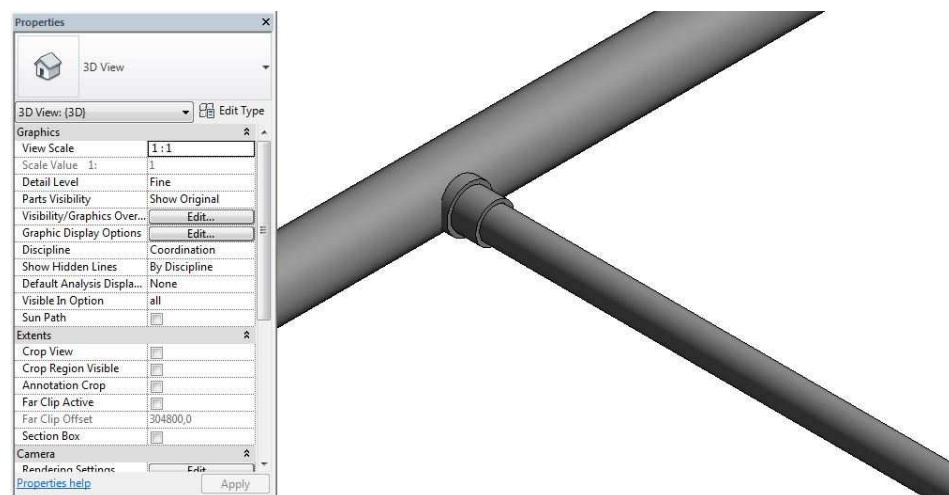


Picture 1. Functions for 'equal_bend' & 'reverse_direction'

1.2 Working with saddles

To add a saddle to a pipe:

1. Select any pipe or start drawing a new pipe
2. In a property palette select Instaflex (SF saddle – BF) from the list
3. Start sketching the first pipe with pipe type 'Instaflex (SF saddle – BF) and the second pipe with the same pipe type but reduced pipe diameter connecting the first pipe at 90 degree
4. A saddle will be inserted automatically (Picture 2) when making a junction of this pipe-type with another pipe. Single insertion of a saddle is not supported in



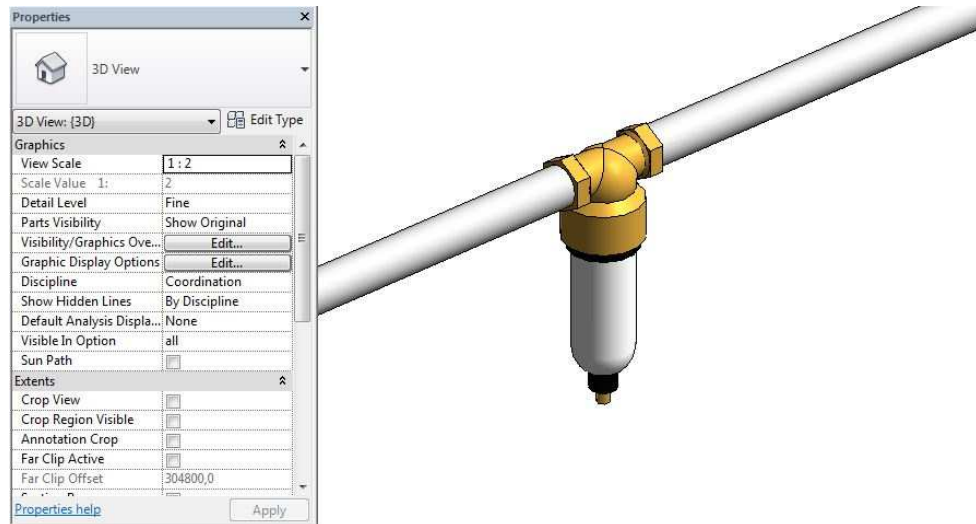
Picture 2. Adding a saddle to a pipe

1.3 Working with filters and return flow inhibitors

To insert filters or return flow inhibitors:

1. In the system tab find 'Plumbing & Pipe Fittings' panel

2. Click 'Pipe Accessory' and choose a filter or return flow inhibitor from drop down menu list located in the property palette
3. Once it is selected hover the selected accessory over a pipe and complete the procedure by clicking a left mouse button (Picture 3)



Picture 3. Adding a filter

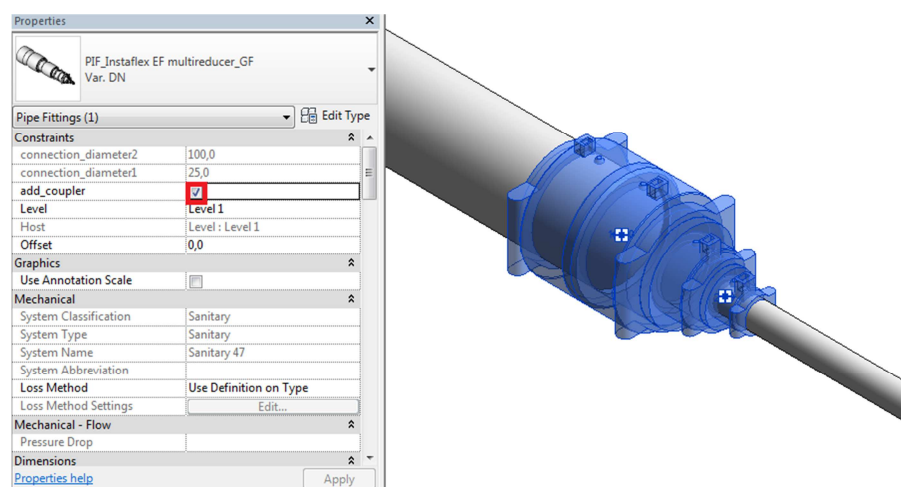
1.4 Working with Sample Valve

Working with a sample valve requires slightly different approach it should be added to certain type of valves (JRG Valves).

2 Adding couplers

To add a coupler:

1. Select an element
2. From a property panel tick a box 'add coupler' (Picture 4)



Picture 4. Adding a coupler to a multi-reducer