



GF Piping Systems

Revit Manual for COOL-FIT 2.0



May 2018

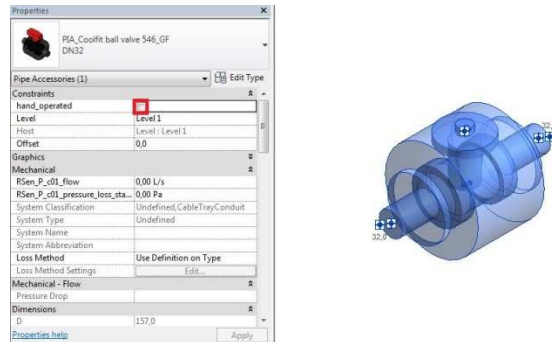
Contents

- 1. Working with pipe fittings and accessories 3
 - 1.1 Specific feature for valves 3
 - 1.2 Fittings for measurement..... 3
- 2. Adding couplers..... 3
 - 2.1 Adding couplers to elbows, tees, fittings 3
 - 2.2 Adding couplers to reducers..... 4
- 3. Adding flange adaptors to valves..... 4
- 4. Notes 5

1. Working with pipe fittings and accessories

1.1 Specific feature for valves

GF Piping Systems Revit Package for COOL-FIT possesses a special feature for valves (Picture 1). Once a box is ticked a handle is added and a digital model automatically change the item description as well as the catalogue code.



Picture 1. Adding handle to bare shaft valve

1.2 Fittings for measurement

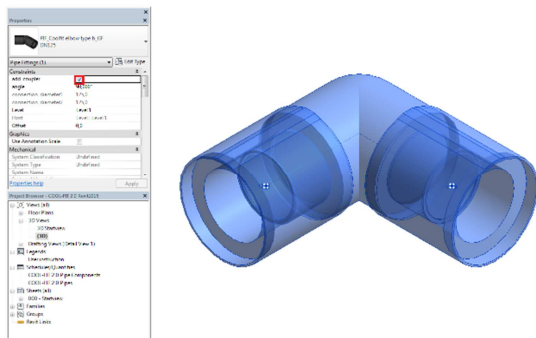
Pre-Insulated pipes have specific elements for temperature or pressure measurement such as fittings. To insert fittings:

1. Click on 'Pipe Fitting' from Plumbing and Piping panel
2. Select a fitting from drop down menu list
3. Hover the fitting over a pipe and complete a procedure by clicking left mouse button

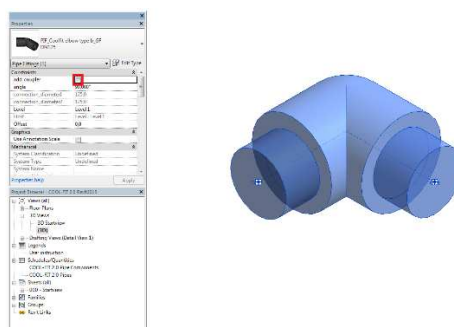
2. Adding couplers

2.1 Adding couplers to elbows, tees, fittings

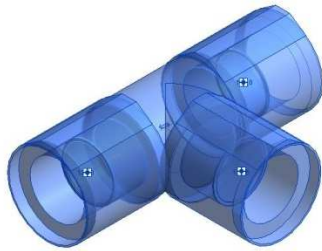
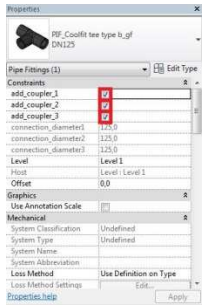
For some elbows, tees, fittings and reducers a user is able to add couplers by one click (Picture 2, 3, 4 and 5)



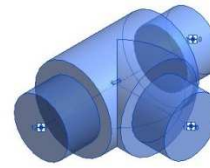
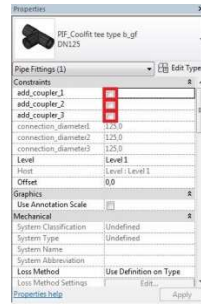
Picture 2. Elbow with Couplers



Picture 3. Unticked Elbow Option



Picture 4. Tee with couplers

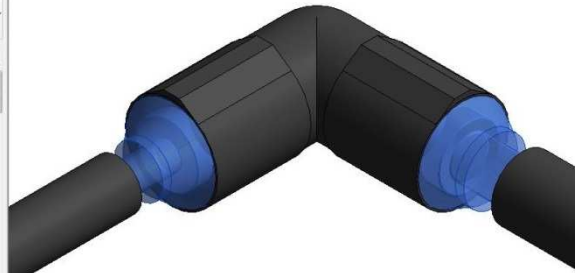


Picture 5. Tee without couplers

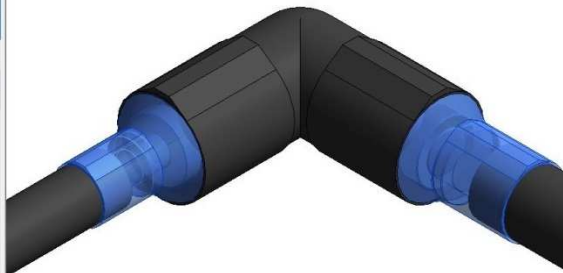
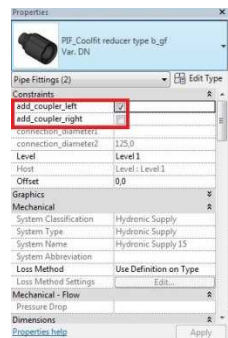
2.2 Adding couplers to reducers

To add couplers to reducers:

1. Select a reducer
2. Tick a box 'add coupler left or right' as highlighted in Picture 6 and 7
3. To complete the procedure click "Apply"



Picture 6. Reducer without couplers

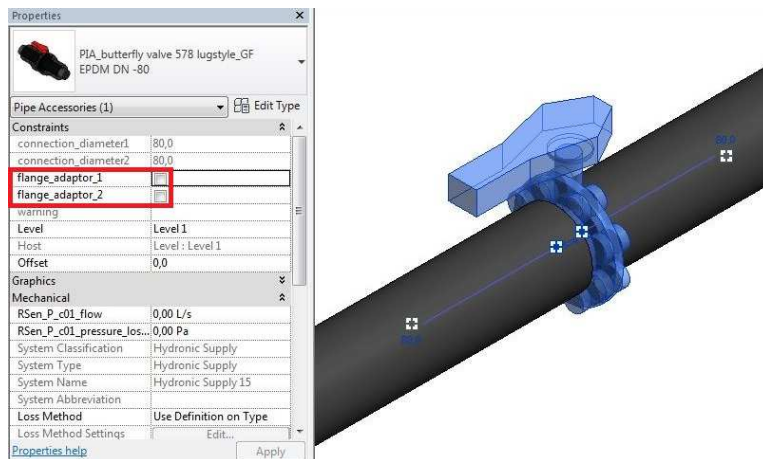


Picture 7. Reducer with couplers

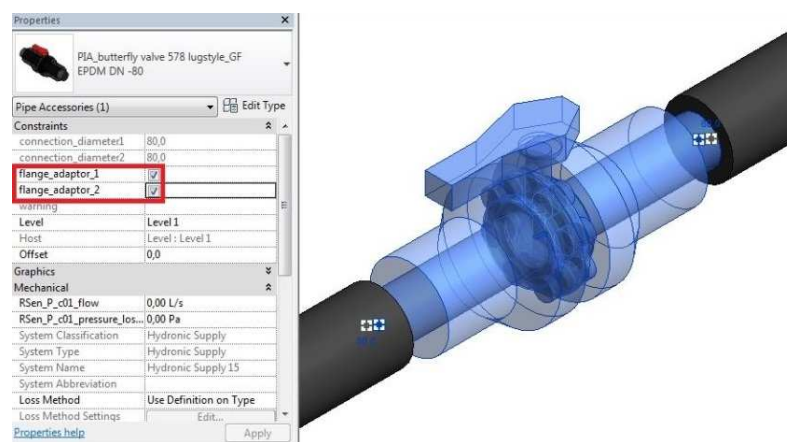
3. Adding flange adaptors to valves

To add flange adaptors to valves:

1. Select a butterfly valve
2. Tick a box 'flange adaptor 1 or 2' as highlighted in Picture 8 and 9
3. To complete the procedure click "Apply"



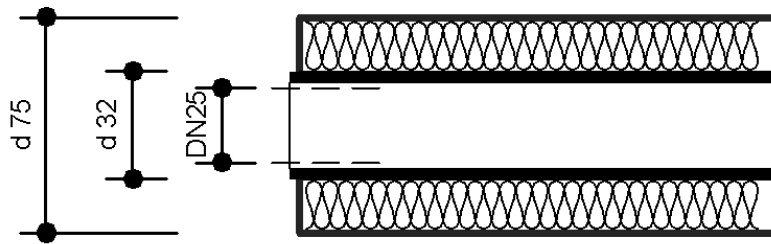
Picture 8. Selecting a valve



Picture 9. Activating flange adaptors by ticking a box

4. Notes

Pre-insulated pipes have different diameter definitions in Revit. There are no difference for nominal diameter (DN) and internal diameter (ID) but outer diameter (OD) is defined not the same as standard pipes. Outer diameter is measured including external insulation (Picture 10). Please see the table below for further information (Table 1).



Picture 10. Diameters for Pre-Insulated pipe

<i>GF catalogue size</i>	<i>ND</i>	<i>Inch equivalent</i>
32/75	DN25	1"
40/90	DN32	1 1/4"
50/90	DN40	1 1/2"
63/110	DN50	2"
75/125	DN65	2 1/2"
90/140	DN80	3"
110/160	DN100	4"
140/200	DN125	5"

Table 1. GF catalogue sizes